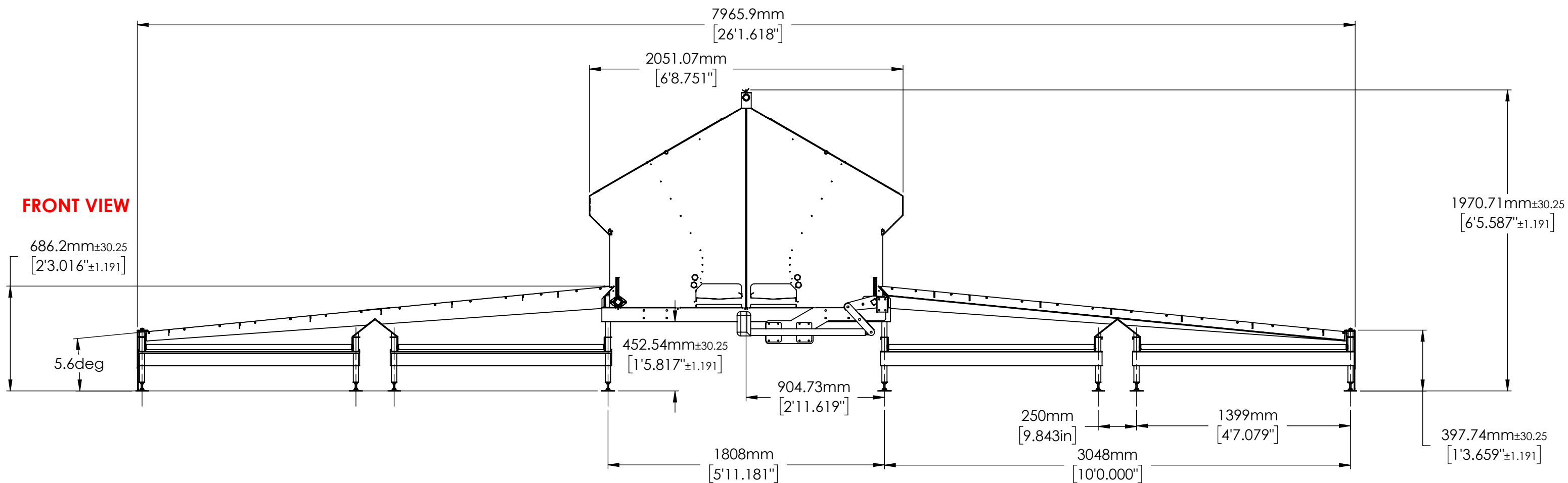
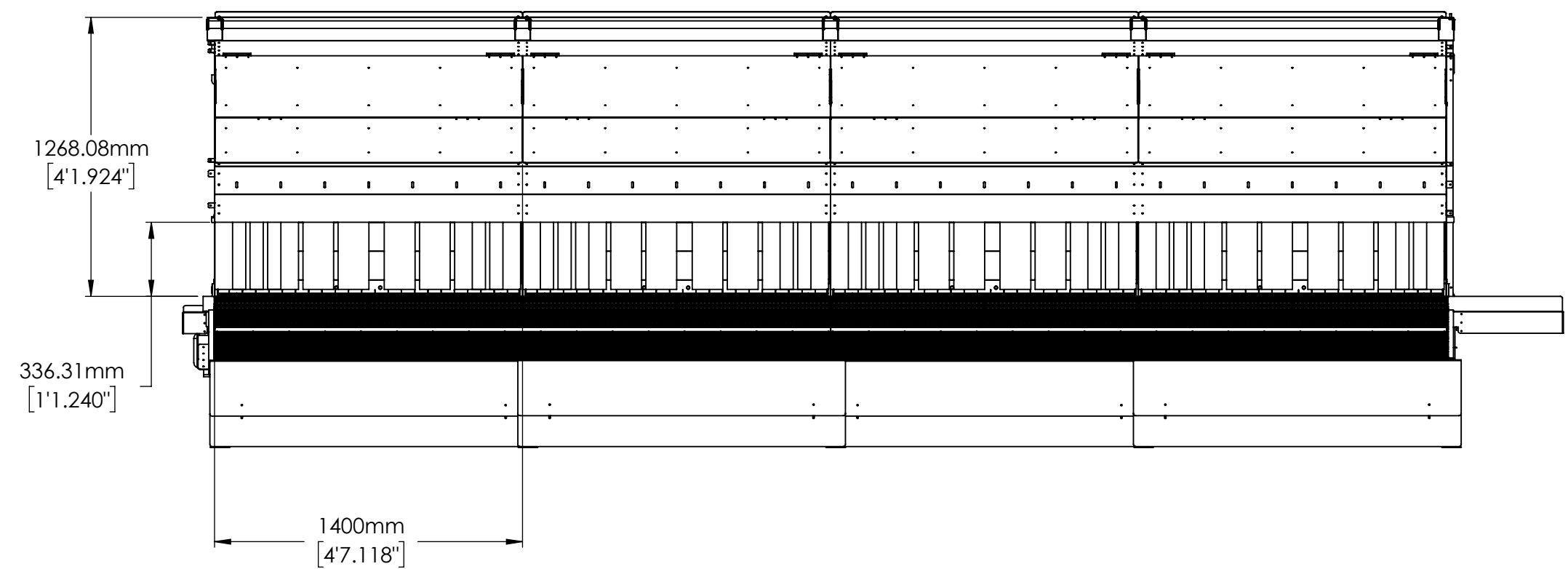


**FRONT VIEW**



**SIDE VIEW**



REVISIONS				
REV.	DESCRIPTION	DATE	BY	APP.

<p>MATERIAL: GAUGE:</p> <p>UNLESS NOTED OTHERWISE ALL DIMENSIONS ARE IN MM</p> <p>TOLERANCES: X. ±1 MM X.X ±0.5 MM X.XX ±0.25 MM</p> <p>ANGULAR ±0.5° FINISH <math>\sqrt{32 Ra}</math></p> <p>&lt;PARA &gt;REMOVE BURRS AND BREAK ALL SHARP EDGES</p> <p>DIMENSIONING AND TOLERANCING IN ACCORDANCE WITH ANSI Y14.5M-1994</p>		<p>WEIGHT: lbs.</p> <p>DRAWN BY: E. FIORINI 14/12/2020</p> <p>DESIGNED BY: E. FIORINI 14/12/2020</p> <p>CHECKED BY: - -</p>	<p>TITLE: ASSEMBLY</p>	<p>DWG. NO. <b>Broiler Breeder ASM 3.0</b></p>	<p>REV: 1</p>	<p>SHEET: 1 OF 1</p>
---	--	---	------------------------	--	---------------	----------------------

THIS DOCUMENT IS CONFIDENTIAL AND IS THE PROPERTY OF KAISER AG SOLUTIONS. IT MAY NOT BE COPIED OR REPRODUCED IN WHOLE OR IN PART IN ANY WAY WITHOUT THE EXPRESS WRITTEN CONSENT OF THE COMPANY.

