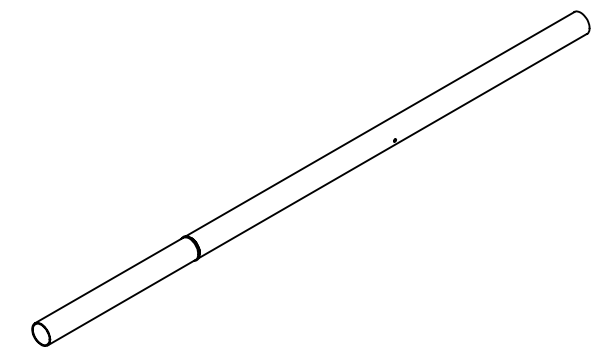
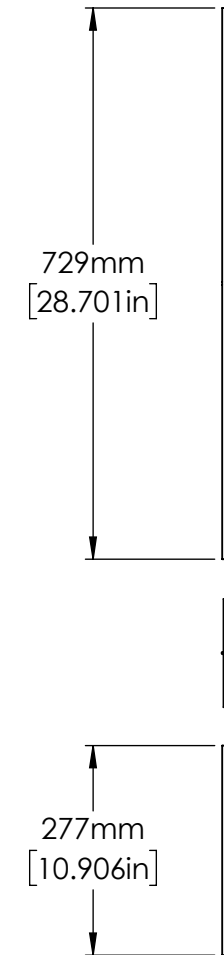
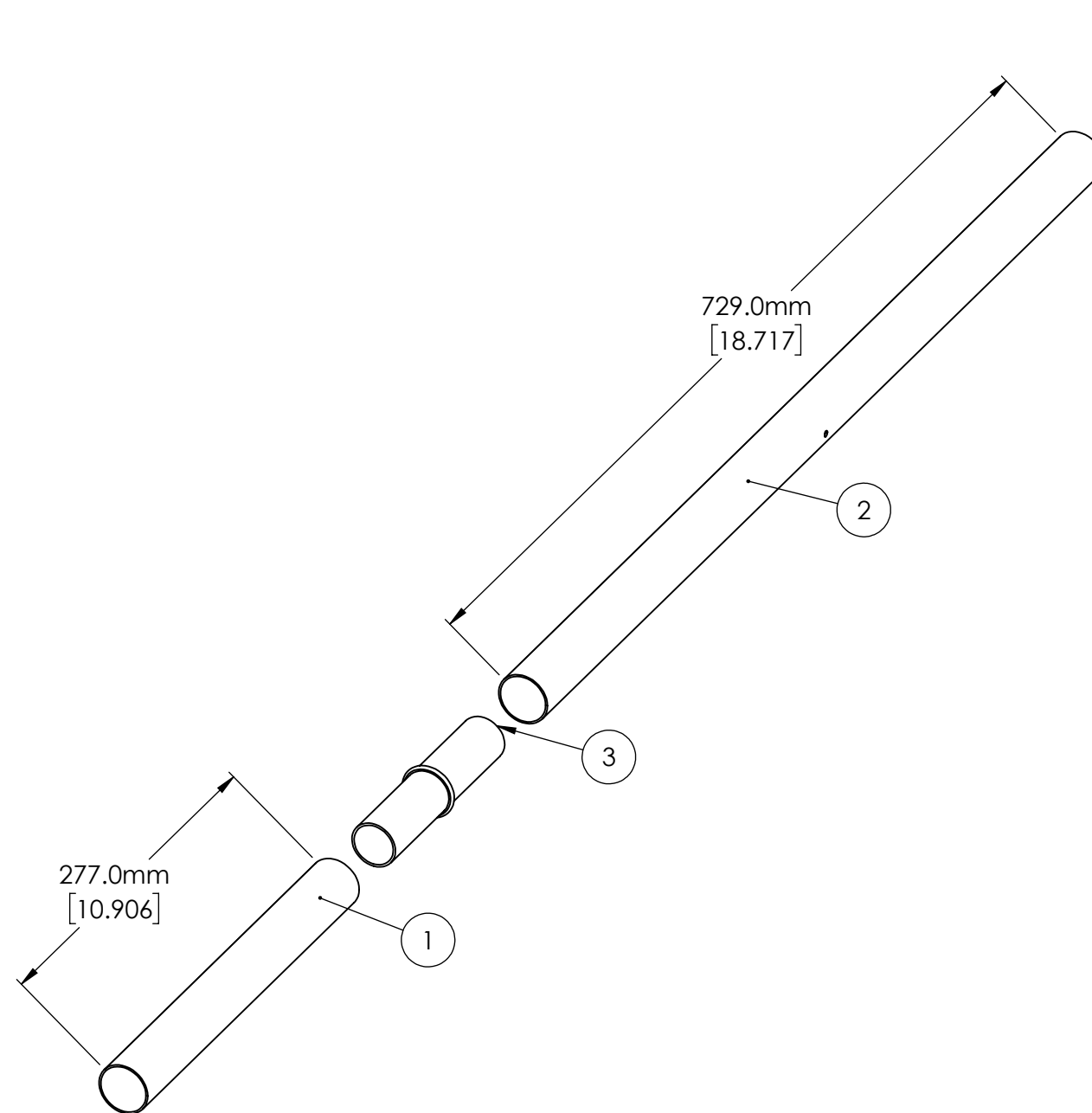


ITEM NO.	DWG NUMBER	DESCRIPTION	QTY.
1	05200	BOTTOM TIER PIPE - STANDARD	1
2	05202	TIER PIPE - STANDARD	1
3	05204	TIER PIPE CONNECTOR - STANDARD	1



REVISIONS				
REV.	DESCRIPTION	DATE	BY	APP.

MATERIAL: Galvanized Steel

UNLESS NOTED OTHERWISE ALL DIMENSIONS ARE IN MM  
TOLERANCES: X.X ±0.381 MM X.XX ±0.254 MM X.XXX ±0.127 MM  
ANGULAR ±0.5° FINISH  $\sqrt{32R}$   
REMOVE BURRS AND BREAK ALL SHARP EDGES  
DIMENSIONING AND TOLERANCING IN ACCORDANCE WITH ANSI Y14.5M-1994

THIS DOCUMENT IS CONFIDENTIAL AND IS THE PROPERTY OF KAISER AG SOLUTIONS. IT MAY NOT BE COPIED OR REPRODUCED IN WHOLE OR IN PART IN ANY WAY WITHOUT THE EXPRESS WRITTEN CONSENT OF THE COMPANY.



WEIGHT:	-	lbs.
DRAWN BY:	N. Miskiw	Feb. 16, 2022
DESIGNED BY:	N. Miskiw	-
CHECKED BY:	-	-

TITLE		Leg & Tier Pipe Assembly ComFort		DWG. NO.		REV	SHEET
		L & TP Detail 1				A	1 OF 1